

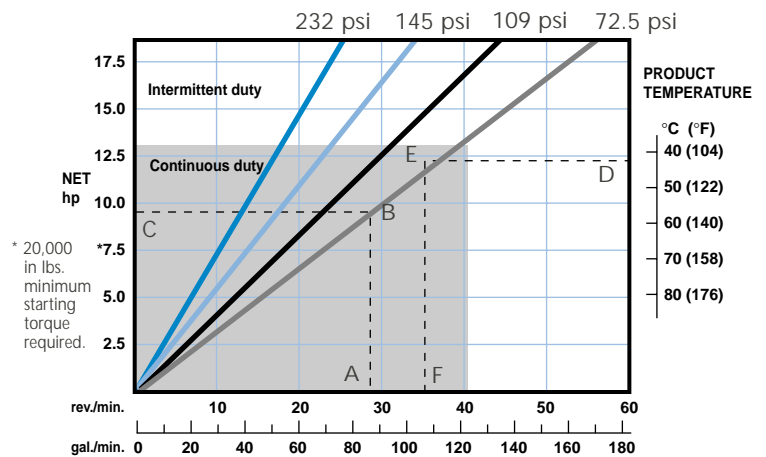


SPX80 High-Pressure Hose Pumps

Features and Benefits

- High-strength, twin-bearing hub integrated into the pumphead
- Rotor always fully and centrally supported by its own bearings
- Fail-safe shaft design
- New flat shim and improved epoxy shoe design
- Faster hose changing and improved sealing
- Easy access to shims and shoes
- Unique buffer zone provides protective barrier between pumphead and gearing
- Patented direct-coupled design
- Ultra compact planetary gearing
- No drive alignment for faster set-up
- No coupling or baseplate for compact footprint
- Adapter available for fitting hydraulic or pneumatic motors
- Improved frame design
- Increased corrosion resistance
- Compact design, low maintenance,
- Two year warranty

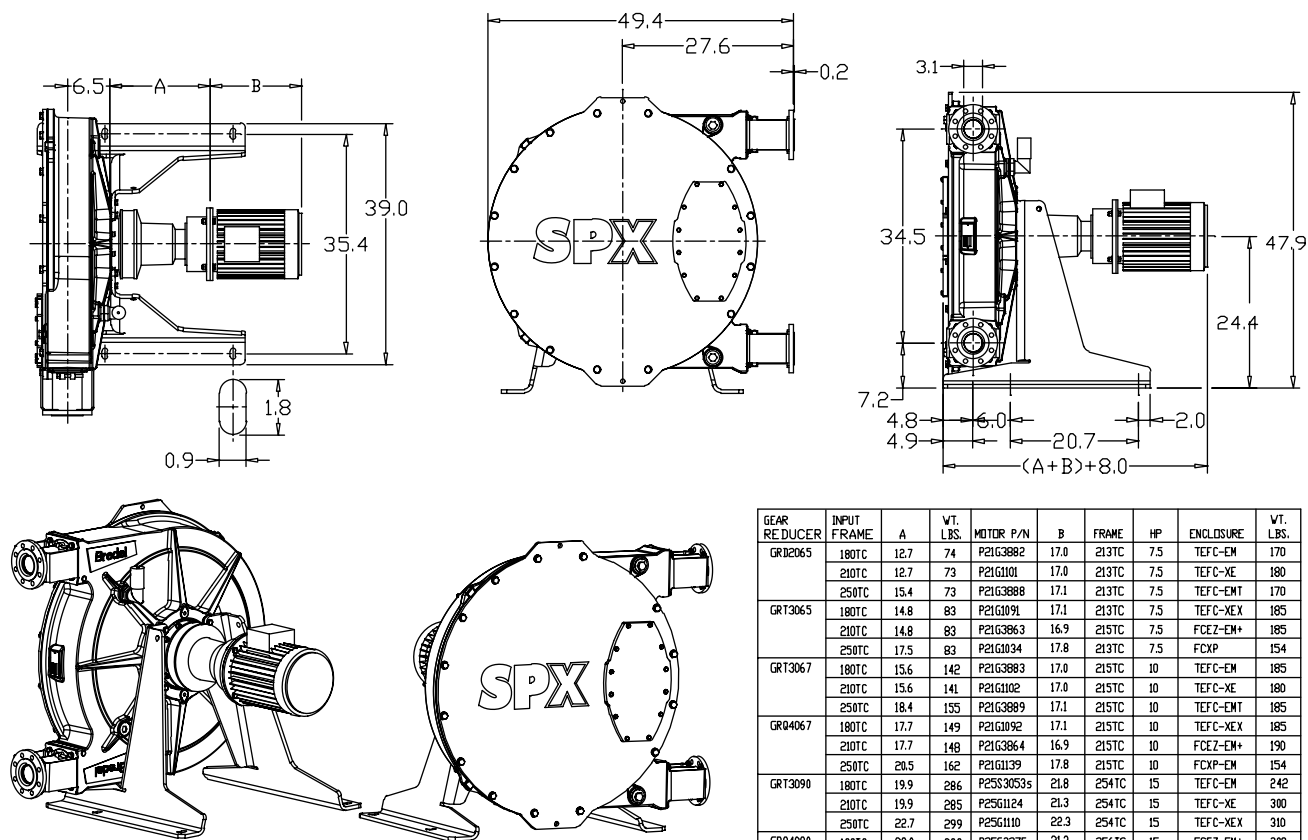
Performance Chart



How to calculate speed/horsepower

- A Flow required, indicates pump speed
- B Calculated discharge pressure
- C Horsepower required
- D Fluid temperature
- E Calculated discharge pressure
- F Maximum recommended pump speed**

** For maximum hose life, speed point (A) should be lower than temperature adjusted speed point (F). See example points (A) thru (F).



NOTES:

1. ALL DIMENSION ARE FOR REFERENCE ONLY.
2. WHEN INSTALLING, ALLOW 81-109" LINEAR CLEARANCE TO FLANGE FOR HOSE CHANGING

GEAR REDUCER	INPUT FRAME	A	WT. LBS.	MOTOR P/N	B	FRAME	HP	ENCLOSURE	WT. LBS.
GRD2065	180TC	12.7	74	P21G3882	17.0	213TC	7.5	TEFC-EM	170
	210TC	12.7	73	P21G1101	17.0	213TC	7.5	TEFC-XE	180
	250TC	15.4	73	P21G3888	17.1	213TC	7.5	TEFC-EMT	170
GRT3065	180TC	14.8	83	P21G1091	17.1	213TC	7.5	TEFC-XEX	185
	210TC	14.8	83	P21G3863	16.9	213TC	7.5	FCEZ-EM+	185
	250TC	17.5	83	P21G1034	17.8	213TC	7.5	FCXP	154
GRT3067	180TC	15.6	142	P21G3883	17.0	213TC	10	TEFC-EM	185
	210TC	15.6	141	P21G1102	17.0	213TC	10	TEFC-XE	180
	250TC	18.4	155	P21G3889	17.1	213TC	10	TEFC-EMT	185
GRQ4067	180TC	17.7	149	P21G1092	17.1	213TC	10	TEFC-XEX	185
	210TC	17.7	148	P21G3864	16.9	213TC	10	FCEZ-EM+	190
	250TC	20.5	162	P21G1139	17.8	213TC	10	FCXP-EM	154
GRT3090	180TC	19.9	286	P25G3053s	21.8	254TC	15	TEFC-EM	242
	210TC	19.9	285	P25G1124	21.3	254TC	15	TEFC-XE	300
	250TC	22.7	299	P25G1110	22.3	254TC	15	TEFC-XEX	310
GRQ4090	180TC	22.0	292	P25G3375	21.3	256TC	15	FCEZ-EM+	190
	210TC	22.0	291	P25G1029	21.3	254TC	15	FCXP-EM	290
	250TC	24.7	305	P25G3055a	21.8	256TC	20	TEFC-EM	348
SPX80 Pumphead		1493							
				P25G3376	21.3	256TC	20	FCEZ-EM+	310

Note: Dimensions shown are based on the standard pump and motor configuration. Overall length may vary depending on actual motor selection.

SPX80 High-Pressure Hose Pumps

Technical Specifications

- Displacement: 3.09 gal/rev
- Supply: 230/460 or 575 three phase
- Operating Speeds: Up to 40 rpm continuous
Up to 50 rpm intermittent
- Fluid Temperature Range: -4° to 175°F
- Hose Lubricant Required: 10.6 gallons
- Flow Range: Up to 155 gpm
- Discharge Pressure: Up to 232 psi
- Suction pressure: 28 ft. lift to 23 psi
- Available Hose Materials: Natural Rubber, BUNA N, BUNA K, EPDM, Hypalon (pending)
- Available Insert Materials: Polypropylene, 316 SS, PVDF, PVC
- Fittings: 3" 150# Flange

Materials of Construction

- Pumphead: Cast iron
- Rotor: Cast iron
- Cover: Mild steel
- Hub: Cast iron
- Shoes: Epoxy
- Flanges and Flange Brackets: Galvanized steel or 304 SS
- Frame: Galvanized steel or 304 SS
- Hardware: Zinc plated steel or 304 SS
- Shaft: Alloy steel
- Shims: 316 SS
- Seals: NBR

The information contained in this document is believed to be correct, but Watson-Marlow/Bredel Pumps accepts no liability for any errors it contains, and reserves the right to alter specifications without notice.



Watson-Marlow, Inc.

37 UPTON TECHNOLOGY PARK, WILMINGTON, MA 01887-1018
 TEL: 800-282-8823, 978-658-6168 / FAX: 978-658-0041
<http://www.watson-marlow.com>