

BARCO SERIES **E-75RS**

# 3" Water Rotary Union

Repair  
Simplicity  
Replaceable  
Seals  
Long Life

## Special Design Features

- **Dry run capability.**
- **Silicon carbide to carbon graphite mechanical seals.**
- **Clean, unobstructed flow path.**
- **Slinger and vented housing protects bearings from grease washout.**
- **Widely separated pre-loaded bearings minimize vibration.**
- **Mono-Flow and Duo-Flow configurations.**
- **Threaded and flanged connections.**



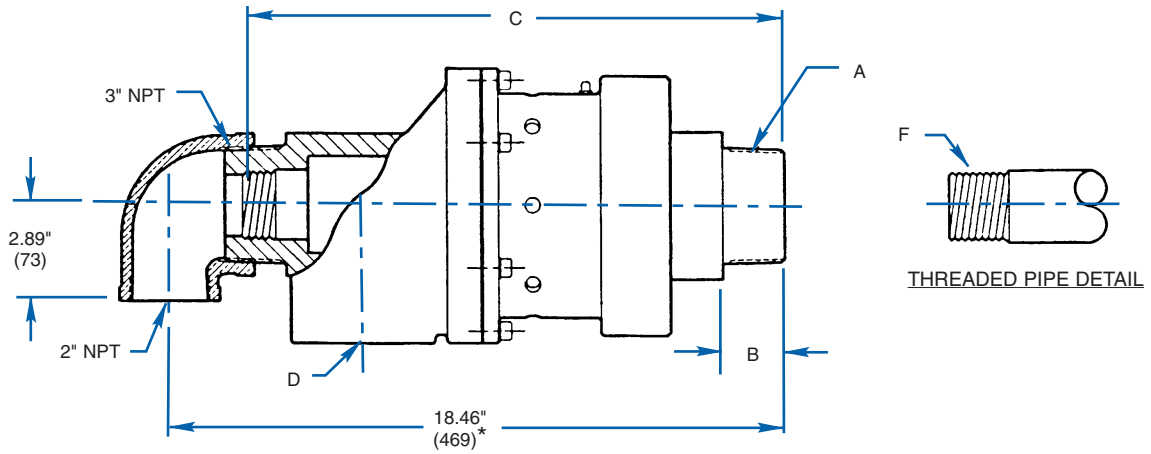
The Barco E-75RS 3" Water Rotary Union includes state-of-the-art technology for use with water applications.

It is designed for use on mills and calenders in the rubber industry, galvanizing lines in the steel industry and film lines in the plastics industry.

Operating Data	
<b>Max. Pressure</b>	
150 PSI	10,3 BAR
<b>Max. Temperature</b>	
250°F	+120°C
<b>Max. Speed</b>	
500 RPM	500/MIN

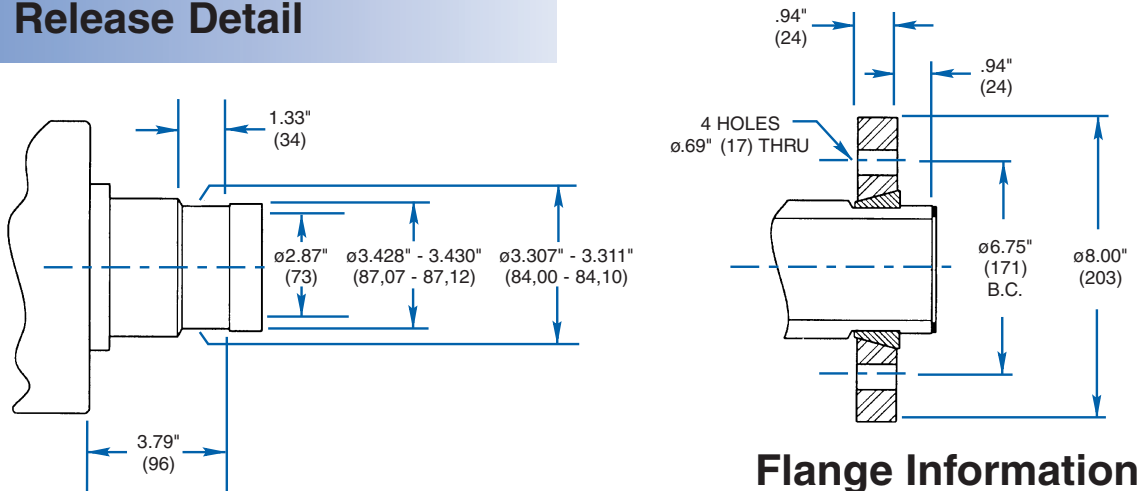


## Duo-Flow Fixed Pipe



Duo-Flow Part number	A	B	C Pipe Length Into Union	D	Syphon Pipe Size	F Thread
BC-31507-48-01	3" NPT (R.H.)	1.87" (47)	16.44" (417)	2" NPT	1½"	1½" NPT
BC-31508-48-01	3" NPT (L.H.)					
BC-31538-48-01	3" BSP (R.H.)	1.73" (44)	17.72" (450)			
BC-31539-48-01	3" BSP (L.H.)					
BC-31514-48-01	Quick Release	See Detail				
BC-31520-48-01	3" NPT (R.H.)	1.87" (47)	16.23" (412)	2" NPT	2"	2" NPT
BC-31521-48-01	3" NPT (L.H.)					
BC-31540-48-01	3" BSP (R.H.)	1.73" (44)	17.55" (446)			
BC-31541-48-01	3" BSP (L.H.)					
BC-31533-48-01	Quick Release	See Detail				

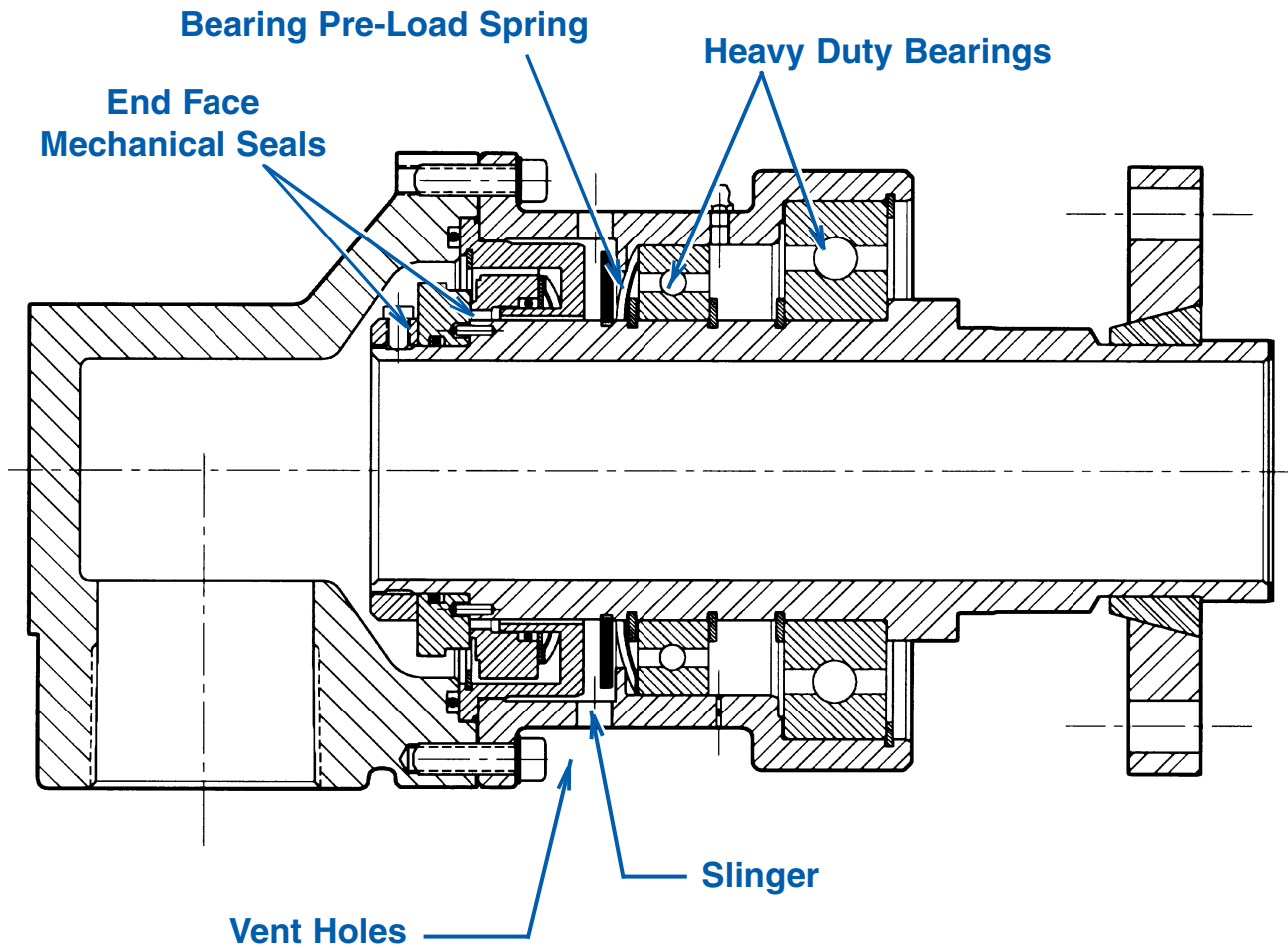
## Quick Release Detail



## Flange Information

# BARCO SERIES E-75RS

3" Water Rotary Union



**Barco International**  
1100 Alexander Court  
Cary, IL 60013-1892  
Phone: (847) 516-0900  
Fax: (847) 516-5590



A DIVISION OF MARISON INDUSTRIES

[www.barcoseals.com](http://www.barcoseals.com)  
email: [info@barcoseals.com](mailto:info@barcoseals.com)

Specifications subject to change without notice.  
Barco products are protected by patents internationally.  
Copyright ©2009 Barco Division Marison Industries, Inc.

Printed in USA 06/09