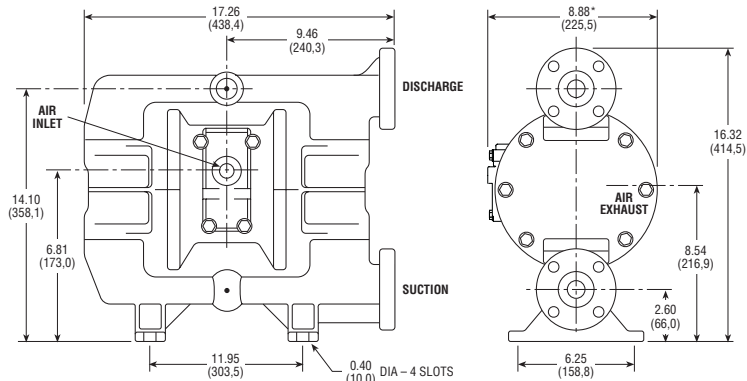


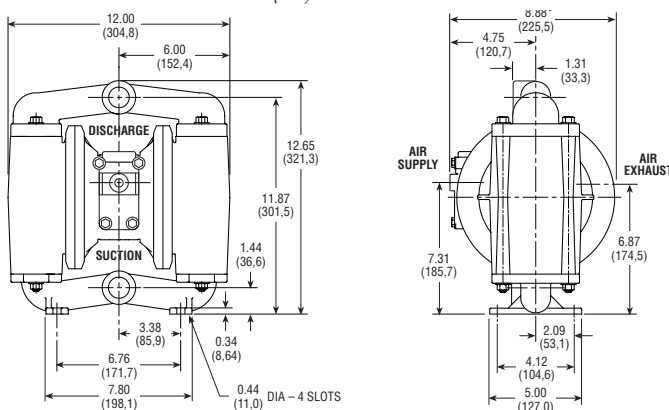
# PERFORMANCE PLUS



## PLASTIC Dimensions in inches and (mm).



## METALLIC Dimensions in inches and (mm).



\*Approximate Dimension with Muffler— 10.25 (260.4)

## PLASTIC MODELS:

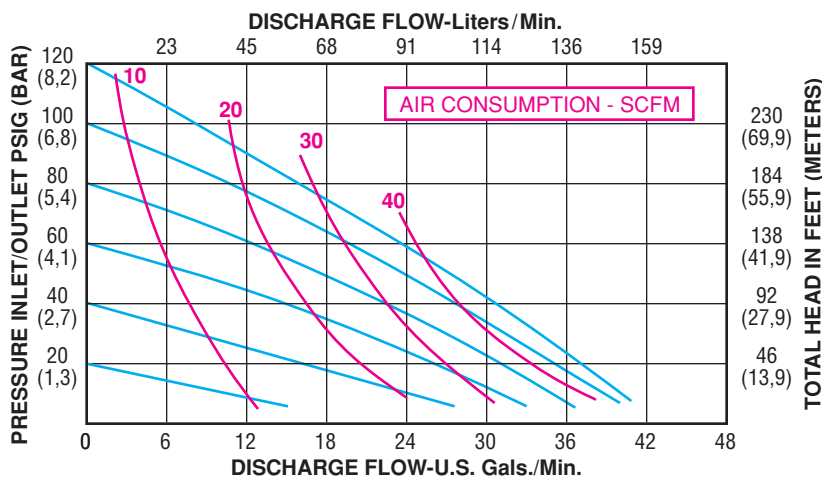
<b>PB-10</b> (Polypropylene/Geolast®)	20 lbs. (9,1 kg.)
<b>PE-10</b> (Polypropylene/Santoprene®/EPDM)	20 lbs. (9,1 kg.)
<b>PT-10</b> (Polypropylene/PTFE)	20 lbs. (9,1 kg.)
<b>PV-10</b> (Polypropylene/Viton®)	20 lbs. (9,1 kg.)
<b>KT-10</b> (PVDF/PTFE)	30 lbs. (13,7 kg.)
<b>KE-10</b> (PVDF/Santoprene®/EPDM)	30 lbs. (13,7 kg.)
<b>KV-10</b> (PVDF/Viton®)	30 lbs. (13,7 kg.)

## METALLIC MODELS:

<b>AB-10</b> (Aluminum/Geolast®)	23 lbs. (10,5 kg.)
<b>AE-10</b> (Aluminum/Santoprene®/EPDM)	23 lbs. (10,5 kg.)
<b>AT-10</b> (Aluminum/PTFE)	23 lbs. (10,5 kg.)
<b>AV-10</b> (Aluminum/Viton®)	23 lbs. (10,5 kg.)
<b>SB-10</b> (316 SS/Geolast®)	45 lbs. (20,4 kg.)
<b>SE-10</b> (316 SS/Santoprene®/EPDM)	45 lbs. (20,4 kg.)
<b>SP-10</b> (316 SS/PTFE)	45 lbs. (20,4 kg.)
<b>SV-10</b> (316 SS/Viton®)	45 lbs. (20,4 kg.)

All fasteners are 18-8 stainless steel (comparable to 302-304).

## PERFORMANCE CURVE (Based on water-flooded suction)



## SPECIFICATIONS:

- Capacity:** Adjustable . . . . . 0 – 41 GPM (155,8 liters/min.)
- Maximum Temperature:**
  - KT-10 Model . . . . . 200°F (93°C)
  - Other Plastic Models . . . . . 150°F (66°C)
  - Metallic Models . . . . . 200°F (93°C)
- Maximum Air Pressure:**
  - All Models . . . . . 120 PSI (8,2 bar)
- Minimum Air Pressure:**
  - All Models . . . . . 20 PSI (1,3 bar)
- Dry Lift:**
  - Models w/ PTFE balls . . . . . 10 ft. (3 meters)
  - Other Ball Check models . . . . . 15 ft. (4,5 meters)
  - w/ optional Max-Pass™ valves . . 18 ft. (5,5 meters)
- Maximum Solids:** . . . . . 1/4" (6,4 mm)
  - Max-Pass™ valves (plastic pumps) . . 3/4" (19 mm)
  - Max-Pass™ valves (metal pumps) . . 1/2" (12,7 mm)
- Air Supply:**
  - Inlet . . . . . 1/4" NPT/BSP Female
  - Outlet . . . . . 3/8" NPT/BSP Female
  - Muffler supplied

## NEW OPTIONAL MAX-PASS™ VALVE SYSTEM

- Increases solids handling capability by 300% and suction lift by 25%
- Up to 3/4" solids for all 1" pumps
- Abrasion resistant
- Mounts in any position
- To order the Max-Pass™ valve system add the following code to the model number: -M4 (Nitrile), M5 (EPDM), M40 (Viton FDA)

Ideal for inks, paints, slurries, and other specialized applications

